

# Centrifugal Blowers



# Centrifugal Blowers Single Inlet



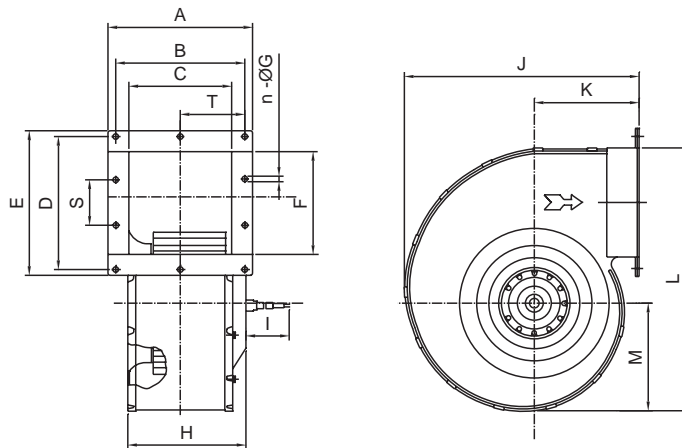
Model	Size mm	Phase	Voltage (VAC)	Frequency (Hz)	Current (A)	Power (W)	Speed (RPM)	Airflow (M <sup>3</sup> /hr)	Noise (dBA)	Cap μf/450V	wt Kg
CFB2E-120S	Φ120X50	Single	230	50	0.37	81	2180	280	73	2.0	2.0
CFB2E-140S	Φ140X65	Single	230	50	0.90	220	2350	480	73	6.0	2.9
CFB2E-150S	Φ150X65	Single	230	50	1.0	220	2300	475	60	4.0	3.8
CFB2E-160S	Φ160X65	Single	230	50	1.30	280	2100	600	73	6.0	4.0
CFB2E-180S	Φ180X55	Single	230	50	1.85	420	2000	750	74	8.0	6.1
CFB4E-180S	Φ180X95	Single	230	50	0.99	230	1350	1130	66	5.0	6.6
CFB4E-200S	Φ200X105	Single	230	50	1.30	290	1330	1365	70	6.0	8.0
CFB4E-225S	Φ225X105	Single	230	50	2.55	520	1330	1800	74	8.0	10.0
CFB4D-225S	Φ225X105	Three	415	50	0.84	460	1310	1800	74	-	10.0

## Centrifugal Blowers Dual Inlet



Model	Size mm	Phase	Voltage (VAC)	Frequency (Hz)	Current (A)	Power (W)	Speed (RPM)	Airflow (M <sup>3</sup> /hr)	Noise (dBA)	Cap µf/450V	wt Kg
CFB2E-133D	Φ133X180	Single	230	50	0.85	190	1500	680	60	4.0	3.7
CFB2E-146D	Φ146X180	Single	230	50	1.80	420	1800	950	61	10.0	4.5
CFB4E-160D	Φ160X210	Single	230	50	0.90	200	1380	1240	64	5.0	6.0
CFB4D-180D	Φ180X195	Three	415	50	0.65	350	1350	1900	63	-	9.8
CFB4D-200D	Φ200X210	Three	415	50	0.91	480	1100	2500	64	-	12
CFB4D-225D	Φ225X210	Three	415	50	1.17	690	1050	2950	65	-	12.6

## Centrifugal Blowers - Single Inlet

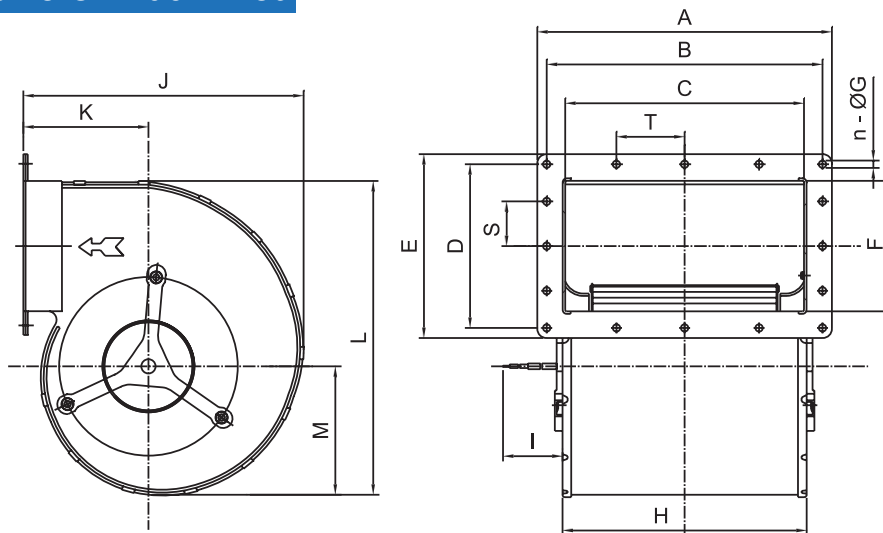


Dimensions (mm)

Model	A	B	C	D	E	F	n-ØG	H	I	J	K	L	M	S	T
CFB2E-120S	130	110	78	91.4	108	68	4-6.3	99	450	174	84	180	79	-	-
CFB2E-140S	135	120	99	110	128	92	4-6.5	105	1000	228	105	245	107	-	-
CFB2E-150S	102	90	72	120	140	92	4-7.0	77	1000	230	105	245	107	-	-
CFB2E-160S	135	120	99	110	128	92	4-6.5	105	1000	228	105	245	107	-	-
CFB2E-180S	125	110	85	135	150	110	4-7.0	132	1000	261	120	281	123	-	-
CFB4E-180S	180	2X80	130	2X90	188	135	8-6.5	168	1000	297	141	340	132	90	80
CFB4E-200S	195	2X87.5	145	2X90	199.5	150	8-6.5	172	1000	329	147	371	151.5	90	87.5
CFB4D-225S	195	2X87.5	145	2X90	199.5	150	8-6.6	172	1000	328	158	371	151.5	90	87.5

Specifications subject to change without notice

## Centrifugal Blowers - Dual Inlet



Dimensions (mm)

Model	A	B	C	D	E	F	n-ØG	H	I	J	K	L	M	S	T
CFB2E-133D	254	238	212	92	108	67	6-Ø5.6	217	1000	174	90	180	80	-	-
CFB2E-146D	270	252	230	122	140	100	6-Ø6.0	232	1000	225	100	218	97	-	-
CFB4E-160D	270	2x126	230	129	145	105	8-Ø6.0	235	1000	235	105	245	107	-	126
CFB4D-180D	300	4X70	250	4X63.5	275	225	16-Ø7.0	252	1000	297	133	333	136	63.5	70
CFB4D-200D	330	4X77.5	280	4X70	300	250	16-Ø7.0	282	1000	329	147	370	151	70	77.5
CFB4D-225D	330	4X77.5	280	4X70	300	250	16-Ø7.0	282	1000	328	158	370	151	70	77.5

Specifications subject to change without notice