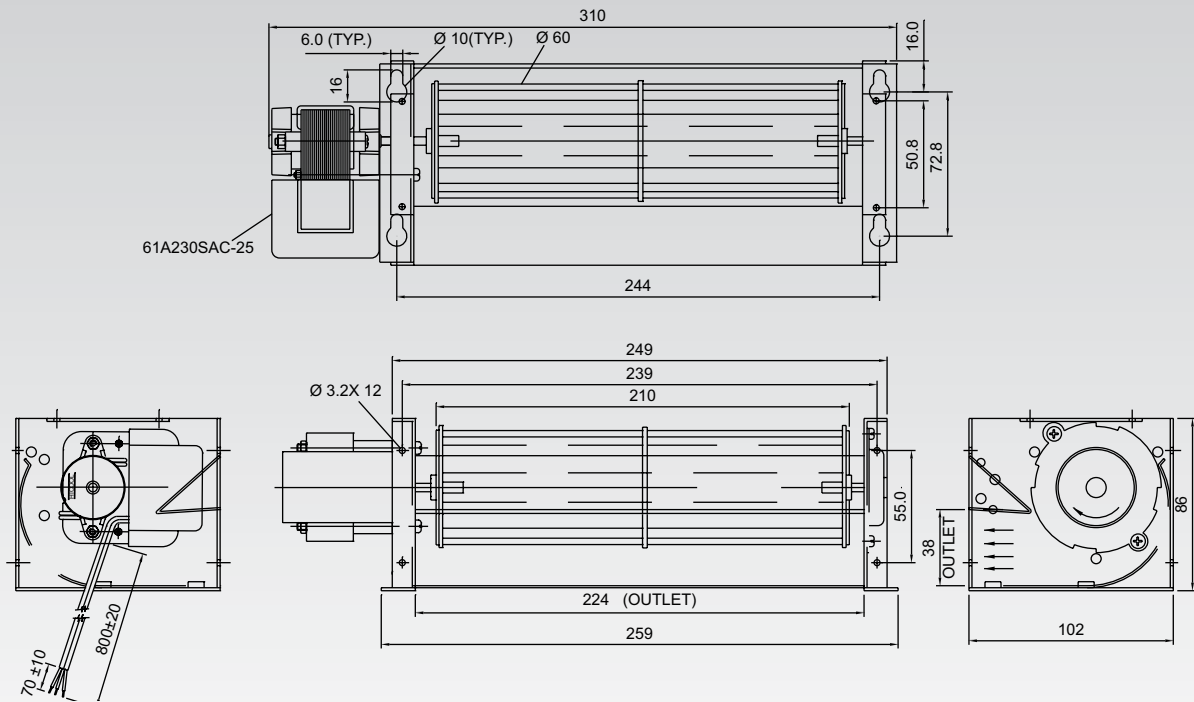


Cross Flow Blower



Specifications

Model No.	Voltage (VAC)	Frequency (Hz)	Current (mA)	Speed (RPM)	Watt (W)	Air Flow (CFM)	Static Pressure (mm H ₂ O)	Noise (dBA)
310A230SAC	230	50	300	1800	35	130	5	40

Specifications subject to change without notice

NOTES
