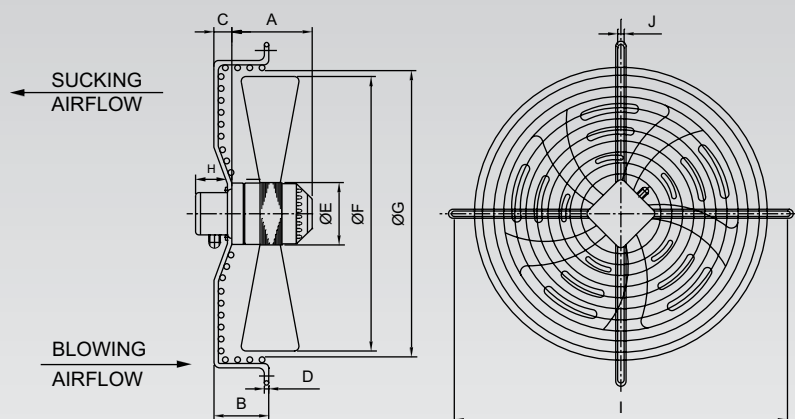


Large Axial Fans


Specifications
Dimensions (mm)

Size	A	B	C	D	E	F	G	H	I	J
200	66	45	-	4	92	200	220	60	245	6
250	76	55	-	4	92	250	275	60	320	7
300	86	80	30	4	92	300	320	60	360	7
350	104	80	30	5	102	350	370	60	422	9.5
400	117	90	30	5	102	400	420	60	470	9.5
450	130	90	30	6	102	450	470	60	522	9.5
500	129	90	30	6	137	500	520	60	570	10.5
550	144	100	30	6	137	550	570	60	622	10.5
600	164	100	30	7.5	137	600	620	60	679	10.5
630	164	100	30	7.5	137	630	650	60	750	10.5
710	191	175	55	10	180	703	770	60	840	14.0
800	191	175	55	10	180	784	857	60	920	14.0

Model	Size in inch	Poles	Phase	Voltage (VAC)	Current (A)	Power (W)	Speed (RPM)	Airflow (M ³ /hr)	Airflow (CFM)	Noise dBA	Capacitor uf	wt Kg
2E-200	8	2	Single	230	0.26	55	2300	900	530	50	2	2.5
4E-200	8	4	Single	230	0.21	40	1400	480	283	45	1.5	3.0
4D-200	8	4	Three	415	0.10	30	1450	550	324	45	-	3.0
2E-250	10	2	Single	230	0.40	80	2400	1800	1059	65	3	3.0
4E-250	10	4	Single	230	0.23	50	1380	1100	647	55	2	3.0
4D-250	10	4	Three	415	0.17	60	1400	1025	603	55	-	3.0
2E-300	12	2	Single	230	0.65	145	2300	2800	1648	70	4	3.3
4E-300	12	4	Single	230	0.42	85	1350	1820	1071	58	3	3.3
4D-300	12	4	Three	415	0.22	75	1380	1850	1089	58	-	3.3
4E-350	14	4	Single	230	0.65	140	1380	3100	1825	62	4	4.9
4D-350	14	4	Three	380	0.38	140	1380	3125	1839	62	-	4.9
4E-400	16	4	Single	230	0.82	180	1380	4000	2354	68	6	5.6
4D-400	16	4	Three	415	0.47	180	1380	4080	2401	68	-	5.6
4E-450	18	4	Single	230	1.20	250	1350	5100	3002	68	8	7.2
4D-450	18	4	Three	415	0.60	250	1360	5200	3061	68	-	7.2
4E-500	20	4	Single	230	1.85	420	1300	7700	4532	72	10	9.5
4D-500	20	4	Three	415	0.90	450	1300	7800	4591	72	-	9.5
4E-550	22	4	Single	230	2.55	550	1300	9200	5415	75	12	10.5
4D-550	22	4	Three	415	1.20	600	1300	9300	5474	75	-	10.5
4E-600	24	4	Single	230	3.00	700	1360	11000	6474	78	16	14.0
4D-600	24	4	Three	415	1.60	780	1350	12000	7063	78	-	14.0
6D-600	24	6	Three	415	1.50	500	900	8900	5238	72	-	14.0
4D-630	25	6	Three	415	1.60	800	1320	14000	8240	78	-	15.0
6D-630	25	6	Three	415	1.60	550	900	9700	5709	75	-	15.0
6D-710	28	6	Three	Δ415	1.90	900	900	16200	9535	80	-	25.0
6D-710	28	6	Three	Y415	1.15	650	730	13100	7710	80	-	25.0
6D-800	32	6	Three	Δ415	3.50	1790	890	20100	11830	82	-	35.0
6D-800	32	6	Three	Y415	2.23	1230	680	16100	9476	82	-	35.0

Frequency (Hz) - 50

E-Single Phase D- Three Phase

All models available in Suction (S) and Blow (B)

Specifications subject to change without notice