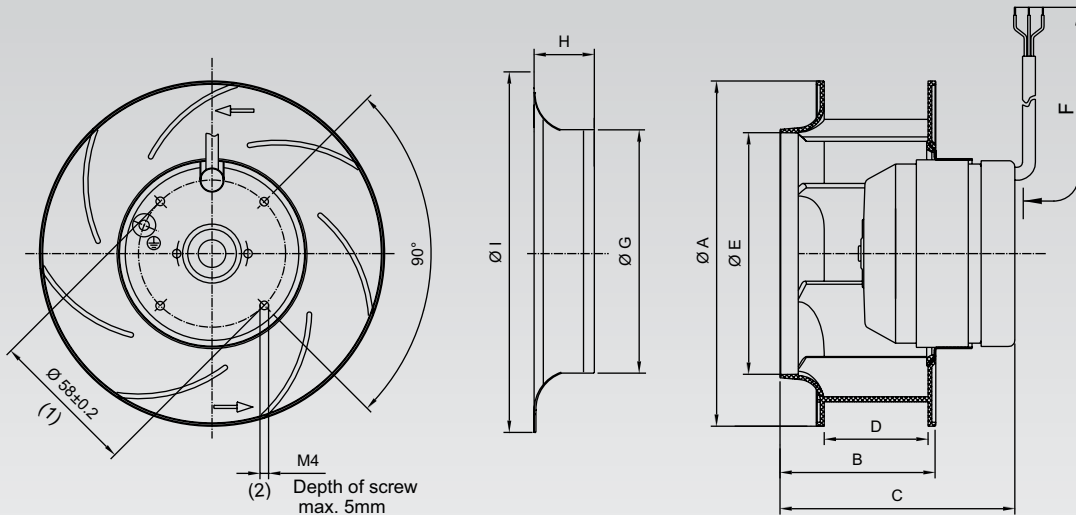




Backward Curved Fans



Only for BCF-315, 355 & 400
 (1) \varnothing 90
 (2) M6 and Depth of screw
 max. 12mm

Dimensions (mm)

Model	A	B	C	D	E	F	G	H	I
BCF-133	133	53.6	77.5	42	93	600	87	13	129
BCF-180	180	49	69	35	131	930	125	14	170
BCF-190	192	60	70	40	132	930	125	14	170
BCF-220	220	63	71	45	159	930	156.2	21	252
BCF-225AA	227	65.3	79	40	153	930	145	28	223
BCF-225BB	225	90	99	63	159	930	145	28	223
BCF-250	252	84.3	102	56	172	930	167	33	255
BCF-355	359	174	195	121	250	520	239	31	350
BCF-400	413	185	236	123	270	990	255	58	370

Specifications

Model	Size mm	Phase	Voltage (VAC)	Frequency (Hz)	Current (A)	Power (W)	Speed (RPM)	Airflow (M ³ /hr)	Noise dBA	Cap μ t/450V	wt Kg
BCF-133	\varnothing 130 x 54	Single	230	50	0.12	26	2550	220	60/62	1	1
BCF-180	\varnothing 180 x 49	Single	230	50/60	0.40/0.34	61/66	2500/2700	440/470	59/62	2	1.2
BCF-190	\varnothing 192 x 60	Single	230	50/60	0.39/0.48	80/90	2400/2600	570/630	62/65	2	1.6
BCF-220	\varnothing 220 x 63	Single	230	50/60	0.44/0.50	95/120	2400/2600	800/865	65/68	3	2.7
BCF-225AA	\varnothing 225 x 65	Single	230	50/60	0.53/0.64	110/145	2500/2700	890/950	68/71	3	2.4
BCF-225BB	\varnothing 225 x 90	Single	230	50/60	0.65/0.80	147/195	2500/2650	1220/1350	68/72	4	2.7
BCF-250	\varnothing 250 x 82	Single	230	50/60	0.83/1.13	190/250	2700/3030	1540/1660	74/76	6	3
BCF-355	\varnothing 355 x 174	Single	230	50	1.12	245	1400	2800	74	8	5.6
BCF-400	\varnothing 400 x 185	Single	230	50	1.6	370	1370	3653	77	12	6.8

Specifications subject to change without notice

Available in DC Voltages
 Few sizes available in 3 Phase