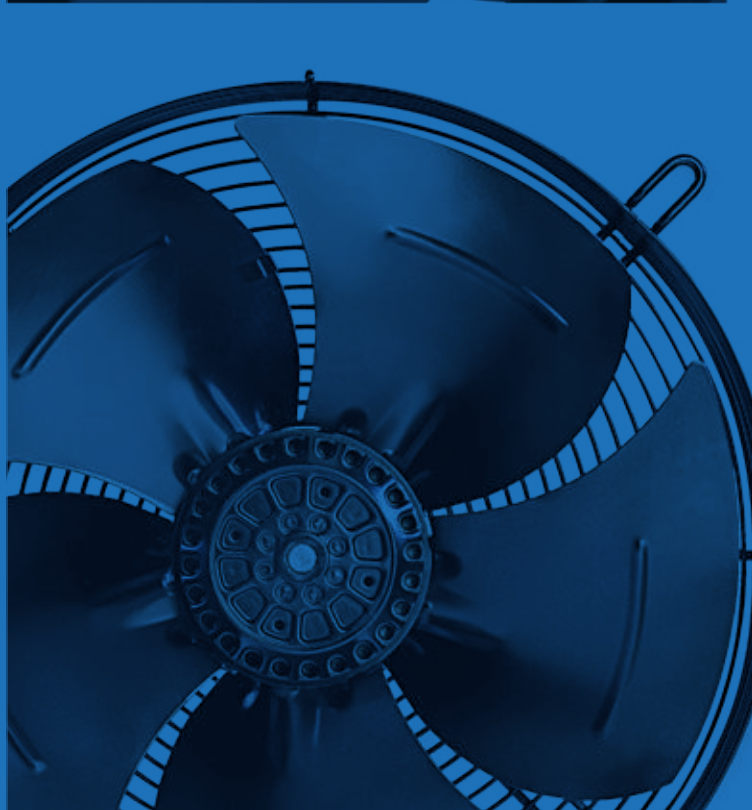


Air-Moving Solutions for
Enclosures & Industrial Equipment





250k sq ft.
PRODUCTION AREA

15million
MOTORS/YEAR



200+
POINT OF SALES



EXPORT TO
20+
COUNTRIES



1000+
CUSTOMERS



Performance with Purpose

Founded in 1988, Hicool designs and manufactures precision air-moving and thermal management solutions for applications where performance, reliability, and efficiency are critical.

We serve diverse industries including HVAC, refrigeration, telecom, equipment cooling, control cabinets, railways, and medical equipment. In many of these mission-critical applications, our products play a vital role in maintaining stable operating temperatures and protecting systems that run continuously under demanding conditions.

As a vertically integrated manufacturer, Hicool brings together motors, fans, and complete air-movement solutions under one roof. This end-to-end control enables consistent quality, long product life, and reliable performance.

Our engineering teams work closely with customers to address real-world challenges such as high heat density, limited space, noise optimisation, and energy efficiency. The result is precise, application-specific, and cost-effective solutions.

With modern manufacturing facilities and high-volume production capability, Hicool supports both standard and customised requirements at scale.

Today, Hicool products are trusted in over 20 countries, carrying forward our legacy of engineering excellence and purpose-driven performance.

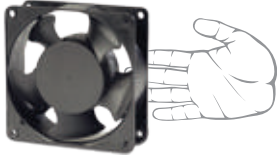


What is Ingress Protection

Ingress protection ratings or IP ratings, refer to the level of protection offered by an electrical enclosure, against solids and liquids.

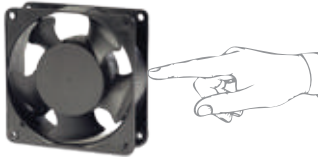
SOLIDS

1



Protected against a solid object greater than 50mm such as hand

2



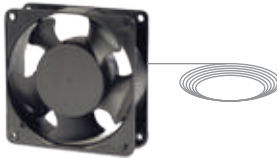
Protected against a solid object greater than 12.5mm such as finger

3



Protected against a solid object greater than 2.5mm such as a screwdriver

4



Protected against a solid object greater than 1mm such as a wire

5



Dust protected, limited ingress of dust permitted. Will not interfere with operation of the equipment. Two to eight hours

6



Dust tight, no ingress of dust. Two to eight hours

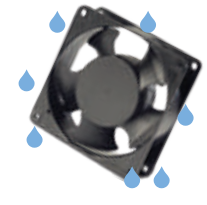
WATER

1



Protected against vertically falling drop of water. Limited ingress permitted. Duration 10 minutes

2



Protected against vertically falling drops of water with Fan tilted up to 15 degrees from the vertical. Duration 10 minutes, shall have no harmful effect.

3



Protected against sprays of water up to 60 degrees from the vertical. Duration 5 minutes, shall have no harmful effect.

4



Protected against water splashed from all directions. Duration 5 minutes, shall have no harmful effect.

5



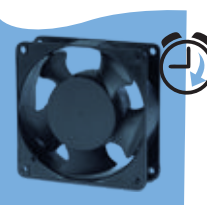
Protected against jets of water. Duration 3 minutes, shall have no harmful effect.

6



Water projected from powerful source shall not enter the enclosure in harmful effect.

7



Protection against the effects of immersion in water between 15cm and 1 meter for 30 minutes

8



Protection against the effects of immersion in water under pressure for long periods

IP Ratings Explained

E.g. IP **4** **4**

The first digit (4) represents the protection against solid objects and the second number (4), against water

Compact Fans - AC



Compact Fans - AC



Model	Bearing	Voltage (VAC)	Frequency (Hz)	Current (A)	Speed (RPM)	Power (W)	Air Flow (CFM)	Static Pressure (mm H ₂ O)	Noise (dBA)	Wt. kg
-------	---------	---------------	----------------	-------------	-------------	-----------	----------------	---------------------------------------	-------------	--------

80X80X25mm (Pack size: 50 Nos.)

8A115HBAC	Ball	115	50/60	0.210/0.180	2300/2800	14/12	21/25	4/4.8	29/34	12
8A115HSAC	Sleeve	115	50/60	0.210/0.180	2300/2800	14/12	21/25	4/4.8	29/34	12
8A230HBAC	Ball	230	50/60	0.070/0.060	2300/2800	14/12	21/25	4/4.8	29/34	12
8A230HSAC	Sleeve	230	50/60	0.070/0.060	2300/2800	14/12	21/25	4/4.8	29/34	12

92X92X25mm (Pack size: 50 Nos.)

9A115HBAC	Ball	115	50/60	0.210/0.180	2300/2800	14/14	36/42	5/6	36/38	15
9A115HSAC	Sleeve	115	50/60	0.210/0.180	2300/2800	14/14	36/42	5/6	36/38	15
9A230HBAC	Ball	230	50/60	0.070/0.060	2300/2800	14/12	36/42	5/6	36/38	15
9A230HSAC	Sleeve	230	50/60	0.070/0.060	2300/2800	14/12	36/42	5/6	36/38	15

120X120X38mm (Pack size: 40 Nos.)

12A24HBAC	Ball	24	50/60	1/0.9	2650/2800	18/17	95/102	8.4/9.4	43/46	20
12A24HSAC	Sleeve	24	50/60	1/0.9	2650/2800	18/17	95/102	8.4/9.4	43/46	20
12A115HBAC	Ball	115	50/60	0.170/0.145	2650/2800	14/12	95/102	8.4/9.4	43/46	20
12A115HSAC	Sleeve	115	50/60	0.170/0.145	2650/2800	14/12	95/102	8.4/9.4	43/46	20
12A230HBAC	Ball	230	50/60	0.100/0.090	2650/2800	18/17	95/102	8.4/9.4	43/46	20

Note: Specifications subject to change without notice

- Weight mentioned is for the pack size.
- Ask for Low Noise versions

Compact Fans - AC



Model	Bearing	Voltage (VAC)	Frequency (Hz)	Current (A)	Speed (RPM)	Power (W)	Air Flow (CFM)	Static Pressure (mm H ₂ O)	Noise (dBA)	Wt. kg
-------	---------	---------------	----------------	-------------	-------------	-----------	----------------	---------------------------------------	-------------	--------

12A230HSAC	Sleeve	230	50/60	0.100/0.090	2650/2800	18/17	95/102	8.4/9.4	43/46	20
------------	--------	-----	-------	-------------	-----------	-------	--------	---------	-------	----

12A415HBAC	Ball	415	50/60	0.070/0.060	2650/2800	20/20	95/102	8.4/9.4	43/46	20
------------	------	-----	-------	-------------	-----------	-------	--------	---------	-------	----

12A415HSAC	Sleeve	415	50/60	0.070/0.060	2650/2800	20/20	95/102	8.4/9.4	43/46	20
------------	--------	-----	-------	-------------	-----------	-------	--------	---------	-------	----

172 Φ x151x51mm & 172x172x55mm (Pack size: 20 Nos.)

17A115HBAC	Ball	115	50/60	0.450/0.450	2600/2750	41/38	190/235	16/21	52/55	20
------------	------	-----	-------	-------------	-----------	-------	---------	-------	-------	----

17A115HSAC	Sleeve	115	50/60	0.450/0.450	2600/2750	41/38	190/235	16/21	52/55	20
------------	--------	-----	-------	-------------	-----------	-------	---------	-------	-------	----

17A230HBAC	Ball	230	50/60	0.250/0.245	2600/2750	38/37	190/235	16/21	52/55	20
------------	------	-----	-------	-------------	-----------	-------	---------	-------	-------	----

17A230HSAC	Sleeve	230	50/60	0.250/0.245	2600/2750	38/37	190/235	16/21	52/55	20
------------	--------	-----	-------	-------------	-----------	-------	---------	-------	-------	----

17A415HBAC	Ball	415	50/60	0.125/0.125	2600/2750	38/38	190/235	16/21	52/55	20
------------	------	-----	-------	-------------	-----------	-------	---------	-------	-------	----

17A415HSAC	Sleeve	415	50/60	0.125/0.125	2600/2750	38/38	190/235	16/21	52/55	20
------------	--------	-----	-------	-------------	-----------	-------	---------	-------	-------	----

220 Φ X60mm & 220X220X60mm (Pack size: 10 Nos.)

22A115HBAC	Ball	115	50	0.640	2300	50	360	23	56	16
------------	------	-----	----	-------	------	----	-----	----	----	----

22A115HSAC	Sleeve	115	50	0.640	2300	50	360	23	56	16
------------	--------	-----	----	-------	------	----	-----	----	----	----

22A115HBAC-X	Ball	115	50	0.650	2600	55	430	28	56	16
--------------	------	-----	----	-------	------	----	-----	----	----	----

Note:

- Weight mentioned is for the pack size.
- Ask for Low Noise versions
- 17A and 22A models available in square and round casings

Specifications subject to change without notice

Compact Fans - AC



Model	Bearing	Voltage (VAC)	Frequency (Hz)	Current (A)	Speed (RPM)	Power (W)	Air Flow (CFM)	Static Pressure (mm H ₂ O)	Noise (dBA)	Wt. kg
22A115HBAC-X-6H	Ball	115	60	0.700	2600	55	430	28	56	16
22A230HBAC	Ball	230	50	0.320	2300	50	360	23	56	16
22A230HSAC	Sleeve	230	50	0.320	2300	50	360	23	56	16
22A230HSAC-X	Sleeve	230	50	0.320	2600	55	430	28	56	16
22A230HSAC-X-6H	Sleeve	230	60	0.400	2700	60	450	29	57	16
22A230HBAC-X	Ball	230	50	0.320	2600	55	430	28	56	16
22A230HBAC-X-6H	Ball	230	60	0.400	2700	60	450	29	57	16
22A415HBAC	Ball	415	50	0.200	2300	50	360	23	56	16
22A415HSAC	Sleeve	415	50	0.200	2300	50	360	23	56	16
22A415HSAC-X	Sleeve	415	50	0.160	2600	50	430	28	56	16
22A415HBAC-X	Ball	415	50	0.160	2600	50	430	28	56	16

Note:

- Weight mentioned is for the pack size.
- Ask for Low Noise versions
- 17A and 22A models available in square and round casings

Specifications subject to change without notice

Compact Fans - EC



Compact Fans - EC



Model	Bearing	Voltage (VAC)	Frequency (Hz)	Current (A)	Speed (RPM)	Power (W)	Air Flow (CFM)	Static Pressure (mm H ₂ O)	Noise (dBA)	Wt. kg
-------	---------	---------------	----------------	-------------	-------------	-----------	----------------	---------------------------------------	-------------	--------

120X120X38mm (Pack size: 40 Nos.)

12P115HBEC	Ball	115	50/60	0.05	2600	5.5	95	7	43	11
12P115HSEC	Sleeve	115	50/60	0.05	2600	5.5	95	7	43	11
12P230HBEC	Ball	230	50/60	0.04	2600	5.5	95	7	43	11
12P230HSEC	Sleeve	230	50/60	0.04	2600	5.5	95	7	43	11

172X151X51mm (Pack size: 20 Nos.)

17A115HBEC	Ball	115	50/60	0.14	2600	12	190	16	52	20
17A115HSEC	Sleeve	115	50/60	0.14	2600	12	190	16	52	20
17A230HBEC	Ball	230	50/60	0.150	2600	12	190	11.21	56.3	20
17A230HSEC	Sleeve	230	50/60	0.150	2600	12	190	11.21	56.3	20
17A230BEC-X	Ball	230	50/60	0.250	3250	16	210	17.73	59.9	20

Specifications subject to change without notice

Compact Fans - All Metal



Compact Fans - All Metal



AC Axial

Model	Bearing	Voltage (VAC)	Frequency (Hz)	Current (mA)	Speed (RPM)	Power (W)	Air Flow (CFM)	Static Pressure (mm H ₂ O)	Noise (dBA)	Wt. kg
120 x 120 x 38 mm - Metal (Pack size: 20 Nos.)										
12A230HBAC-M	Ball	230	50/60	100/90	2700/3100	17/15	95/107	8.4/9.4	42/46	12
172 x 150 x 55 mm - Metal (Pack size: 10 Nos.)										
17A230HBAC-M	Ball	230	50/60	250/230	2800/3250	42/42	195/230	14/16	49/53	12
225 x 225 x 80 mm - Metal (Pack size: 8 Nos.)										
225A230HBAC-M	Ball	230	50/60	300/325	2500/2800	65/70	530/600	17/14	59/61	20
225A230HBAC-M-J	Ball	230	50	420	2750	82	600	18.7	60	20
280 x 280 x 80 mm - Metal (Pack size: 6 Nos.)										
280A230HBAC-M	Ball	230	50/60	590/820	2500/2700	119/130	1090/1130	16.5/20	68/70	21

Also available 115VAC & 415VAC

DC Brushless

Model	Bearing	Voltage (VDC)	Current (mA)	Speed (RPM)	Power (W)	Air Flow (CFM)	Static Pressure (mm H ₂ O)	Noise (dBA)	Wt. kg
225 x 225 x 80 mm - Metal (Pack size: 6 Nos.)									
225A48HBDC - M	Ball	48	1100	2850	52.8	647	25	67	20
280 x 280 x 80 mm - Metal (Pack size: 6 Nos.)									
280A48HBDC - M	Ball	48	1900	2700	91.2	1130	22	69	21

Note:

■ Weight mentioned is for the pack size.

Specifications subject to change without notice

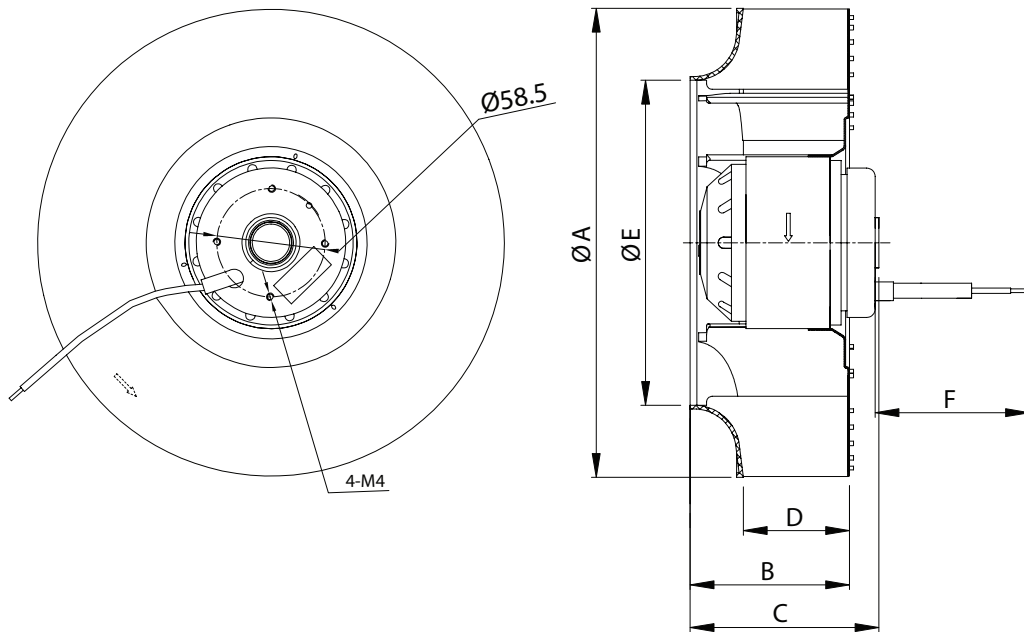
Backward Curved Fans



Backward Curved Fans



Model	Size mm	Phase	Voltage (VAC)	Frequency (Hz)	Current (A)	Power (W)	Speed (RPM)	Airflow (M ³ /hr)	Noise dBA	Cap µf/450V	wt Kg	Pack Size
BCF-133	Φ133 x 53.6	Single	230	50	0.12	23	2550	220	60	1	14	8
BCF-175	Φ175 x 62	Single	230	50/60	0.39/0.34	61/62	2350/2200	440/470	59/62	2	11	8
BCF-190	Φ190 x 63	Single	230	50/60	0.39/0.48	65/80	2400/2800	570/630	62/65	2	14	8
BCF-220	Φ220 x 63	Single	230	50/60	0.4/0.5	110/120	2500/2600	800/865	65/68	3	16	8
BCF-225	Φ225 x 88	Single	230	50	0.57	129	2600	1070	79	4	26	8
BCF-250	Φ252 x 84	Single	230	50/60	0.83/1.13	190/250	2550/2750	1540/1660	74/76	6	26	8
BCF-355	Φ355 x 174	Single	230	50	1.12	245	1400	2800	74	4	15	2
BCF-400	Φ400 x 185	Single	230	50	1.6	370	1370	3653	77	12	13	1



Dimensions (mm)

Model	A	B	C	D	E	F
BCF-133	133	53.6	77.5	42	93	600
BCF-175	175	62	68	44	133	1100
BCF-190	190	63	68	45	130	1100
BCF-220	220	63	72	45	159	1100
BCF-225	225	88	104	63	155	500
BCF-250	252	84.3	102	56	172	900
BCF-355	359	173.5	195	121	250	520
BCF-400	413	185	236	123	270	990

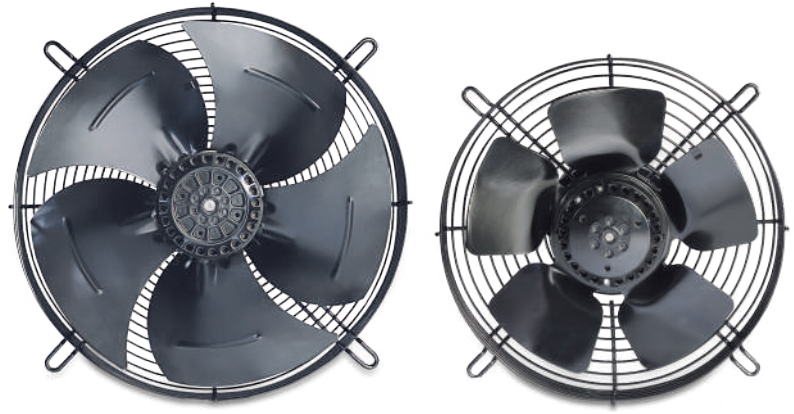
Note:

- Few sizes available in 3 Phase.

Large Axial Fans



Large Axial Fans



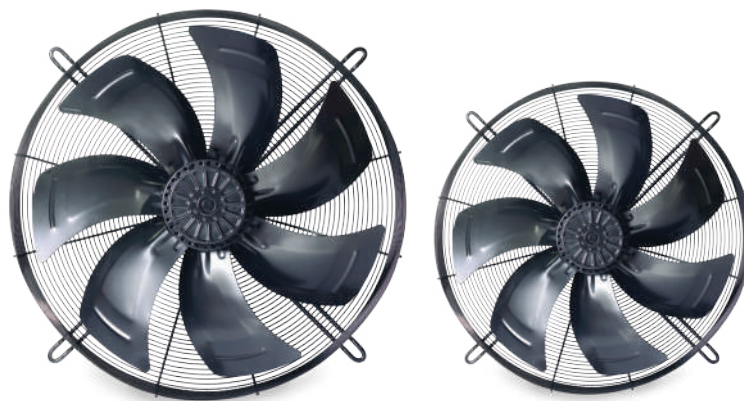
Model	Size in inch	Poles	Phase	Voltage (VAC)	Current (A)	Power (W)	Speed (RPM)	Airflow (M ³ /hr)	Airflow (CFM)	Noise dBA	Capacitor μ f	wt Kg
2E-200	8	2	Single	230	0.30	65	2400	850	500	55	2	2.5
4E-200	8	4	Single	230	0.21	45	1450	450	265	46	1.5	2.5
4D-200	8	4	Three	415	0.12	35	1450	450	265	46	-	2.5
2D-200	8	2	Three	415	0.22	80	2400	850	500	55	-	2.5
2E-250	10	2	Single	230	0.55	115	2400	1730	1018	65	3/3.15	3.0
4E-250	10	4	Single	230	0.30	60	1400	950	559	53	2	3.0
4D-250	10	4	Three	415	0.25	60	1400	950	559	53	-	3.0
2D-250	10	2	Three	415	0.25	115	2400	1730	1018	65	-	3.0
2E-300	12	2	Single	230	0.65	145	2300	2300	1354	65	4	3.3
4E-300	12	4	Single	230	0.42	85	1380	1850	1089	54	3/3.15	3.3
4D-300	12	4	Three	415	0.22	80	1380	1850	1089	54	-	3.3
2D-300	12	2	Three	415	0.35	145	2300	2300	1354	65	-	3.3
4E-350	14	4	Single	230	0.65	140	1380	2600	1530	58	4	4.9
4D-350	14	4	Three	415	0.38	140	1380	2600	1530	58	-	4.9
4E-400	16	4	Single	230	0.82	180	1380	4000	2354	65	6	5.6
6E-400	16	6	Single	230	0.52	108	920	3300	1942	59	3	5.6
4D-400	16	4	Three	415	0.47	180	1380	4000	2354	65	-	5.6

Note:

- All models available in Suction (S) and Blowing (B)
- Multiple frequency and voltage range options available
- Also available in 6 pole motors
- Specific models are available in plastic impeller

Specifications subject to change without notice

Large Axial Fans



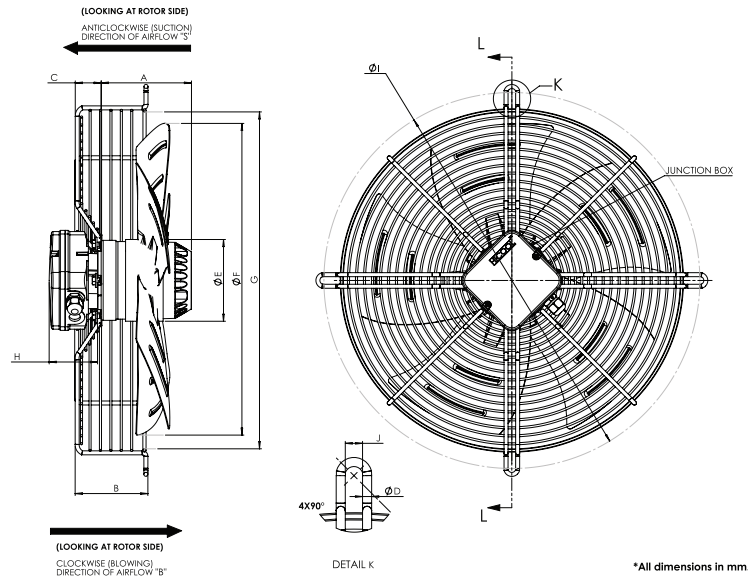
Model	Size in inch	Poles	Phase	Voltage (VAC)	Current (A)	Power (W)	Speed (RPM)	Airflow (M ³ /hr)	Airflow (CFM)	Noise dBA	Capacitor μ f	wt Kg
4E-450	18	4	Single	230	1.2	250	1380	5500	3237	66	8	7.2
6E-450	18	6	Single	230	0.70	120	920	3780	2223	61	4	7.2
4D-450	18	4	Three	415	0.6	250	1380	5500	3237	66	-	7.2
4E-500	20	4	Single	230	1.75	380	1320	7200	4237	71	10	9.0
6E-500	20	6	Single	230	1.00	180	950	5720	3366	66	8	9.0
4D-500	20	4	Three	415	1.20	450	1410	7400	4355	71	-	9.0
4E-550	22	4	Single	230	2.55	600	1300	8500	5002	72	12	11.0
4D-550	22	4	Three	415	1.15	500	1400	8900	5238	72	-	11.0
4E-600	24	4	Single	230	3.2	700	1360	10040	5909	74	16	14.0
4D-600	24	4	Three	415	1.60	765	1370	11000	6478	74	-	14.0
6D-600	24	6	Three	415	1.6	520	950	9885	5818	70	-	14.0
4D-630	25	4	Three	415	1.6	815	1320	12420	7310	75	-	15.0
6D-630	25	6	Three	415	1.6	550	900	11785	6936	71	-	15.0
6D-710	28	6	Three	Δ 415	1.9	900	900	15120	8899	73	-	30.0
6D-710	28	6	Three	Y415	1.15	650	730	13050	7681	72	-	30.0
6D-800	32	6	Three	Δ 415	2.85	1200	920	20695	12181	75	-	35.0
6D-800	32	6	Three	Y415	1.65	930	770	17635	10380	74	-	35.0

Specifications subject to change without notice

Note:

- All models available in Suction (S) and Blowing (B)
- Multiple frequency and voltage range options available
- Also available in 6 pole motors
- Specific models are available in plastic impeller

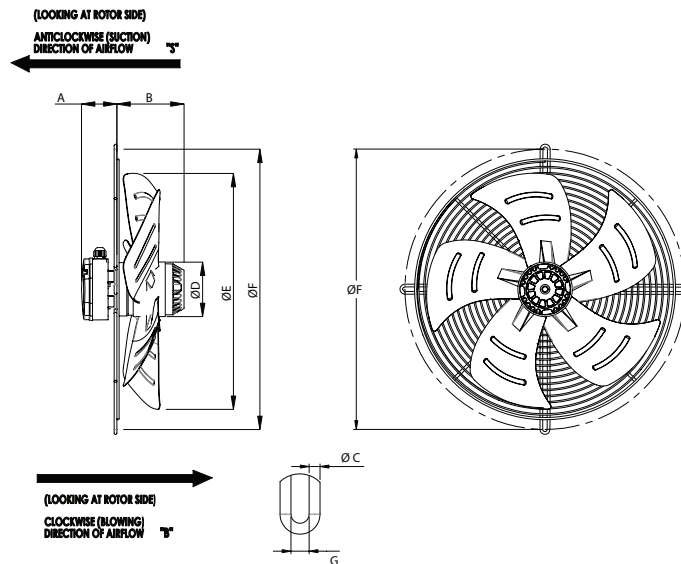
Basket Grill



Dimensions (mm)

Size	A	B	C	D	E	F	G	H	I	J
200	66	45	-	4	92	200	220	60	265	8
250	76	55	-	4	92	250	275	60	325	8
300	86	85	30	4	92	300	320	60	375	8.5
350	104	85	30	5	102	350	370	60	422	9.5
400	117	90	30	5	102	400	420	60	470	9.5
450	130	90	30	6	102	450	470	60	525	9.5
500	129	90	30	6	137	500	520	60	570	10.5
550	144	100	30	6	137	550	570	60	622	10.5
600	164	100	30	7.5	137	600	620	60	680	10.5
630	164	100	30	7.5	137	630	650	60	750	10.5
710	191	175	55	10	180	703	770	60	840	11.5
800	191	175	55	10	180	784	857	60	920	14.0

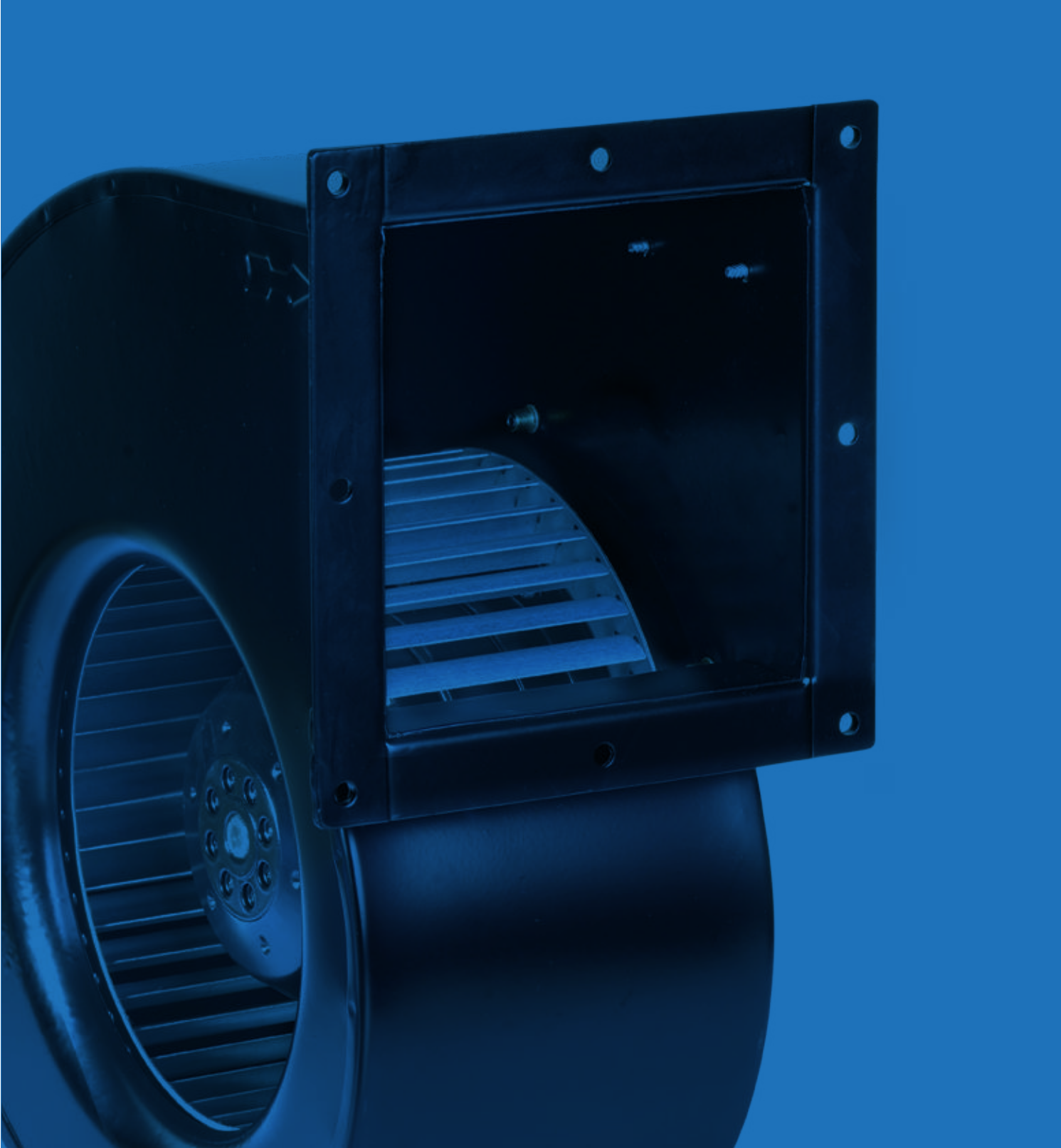
Flat Grill



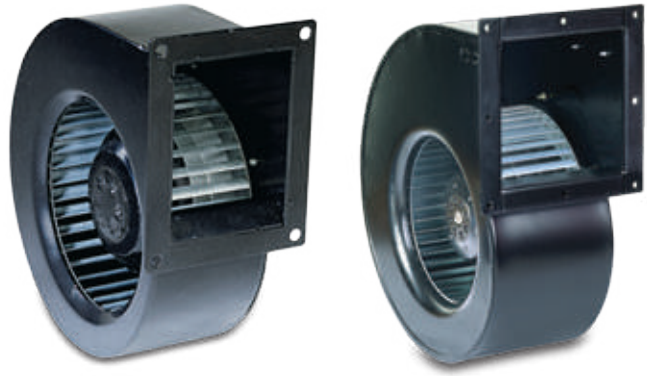
Dimensions (mm)

Size	A	B	C	D	E	F	G
200	60	66	4	92	200	265	8.5
250	60	76	4	92	250	325	8.5
300	60	86	4	92	300	365	8.5
350	60	109	5	102	350	422	10
400	60	122	5	102	400	470	10
450	60	135	5	102	450	522	10
500	60	133	6	137	500	570	11.5
550	60	143	6	137	550	625	11.5

Centrifugal Blowers



Centrifugal Blowers Single Inlet



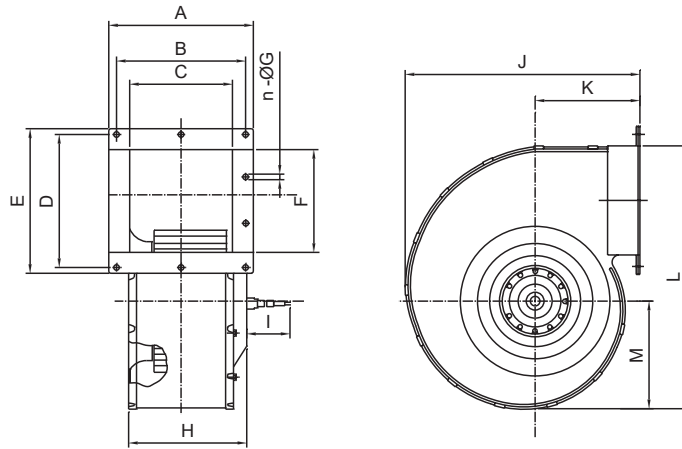
Model	Size mm	Phase	Voltage (VAC)	Frequency (Hz)	Current (A)	Power (W)	Speed (RPM)	Airflow (M ³ /hr)	Noise (dBA)	Cap µf/450V	Pack Size
CFB 2E-120S	Ø135X66	Single	230	50/60	0.37/0.42	81/95	2180/2210	280/290	70/68	2	6
CFB 2E-150S	Ø150X65	Single	230	50	1.0	220	2300	475	60	4	6
CFB 4E-150S	Ø150X65	Single	230	50	0.42	85	1400	300	54	3	6
CFB 2E-160S	Ø161X61.8	Single	230	50	1.3	230	2100	600	73	6	6

Centrifugal Blowers Dual Inlet



Model	Size mm	Phase	Voltage (VAC)	Frequency (Hz)	Current (A)	Power (W)	Speed (RPM)	Airflow (M ³ /hr)	Noise (dBA)	Cap µf/450V	Pack Size
CFB 2E-133D	Ø133X180	Single	230	50	0.85	190	1500	680	60	4	1
CFB 2E-146D	Ø146X220	Single	230	50/60	1.30/1.45	300/330	2000/2550	950/1050	64/66	6	1

Centrifugal Blowers - Single Inlet

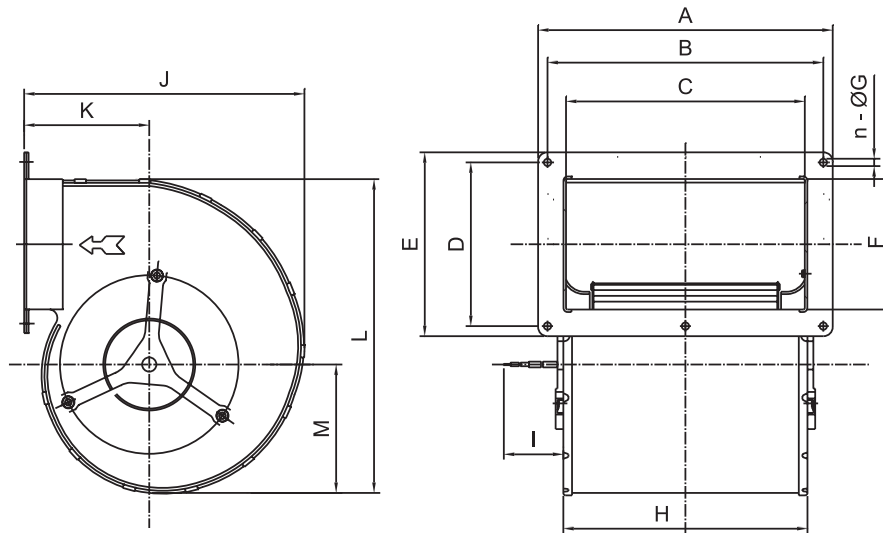


Dimensions (mm)

Model	A	B	C	D	E	F	n-ØG	H	I	J	K	L	M
CFB2E-120S	115	100	79	91.4	108	68	4-6.35	82	1200	188	90	190	101
CFB2E-150S	102	90	72	120	140	92	4-7.0	77	1000	230	105	245	107
CFB4E-150S	102	90	72	120	140	92	4-7.0	77	1000	230	105	245	107
CFB2E-160S	137	120	102	110	127.5	94	4-7.0	107	1000	234	105	245	107

Specifications subject to change without notice

Centrifugal Blowers - Dual Inlet

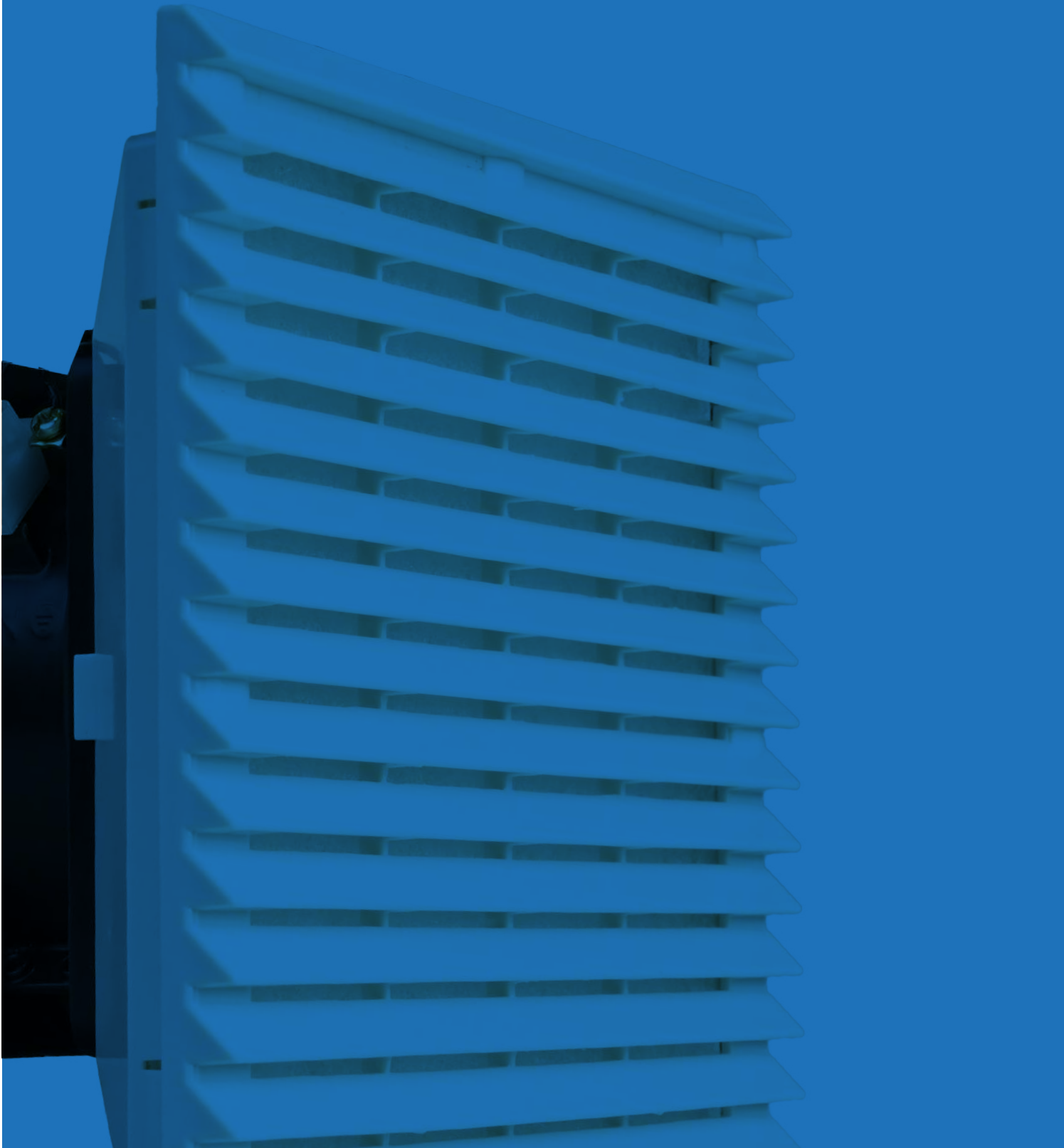


Dimensions (mm)

Model	A	B	C	D	E	F	n-ØG	H	I	J	K	L	M
CFB2E-133D	254	238	212	92	108	67	6-Ø5.6	217	1000	174	90	180	80
CFB2E-146D	270	254	230	126	142	100	4-Ø5.5	232	350	210	106	220	96

Specifications subject to change without notice

Fan Filter Units



Fan Filter Units



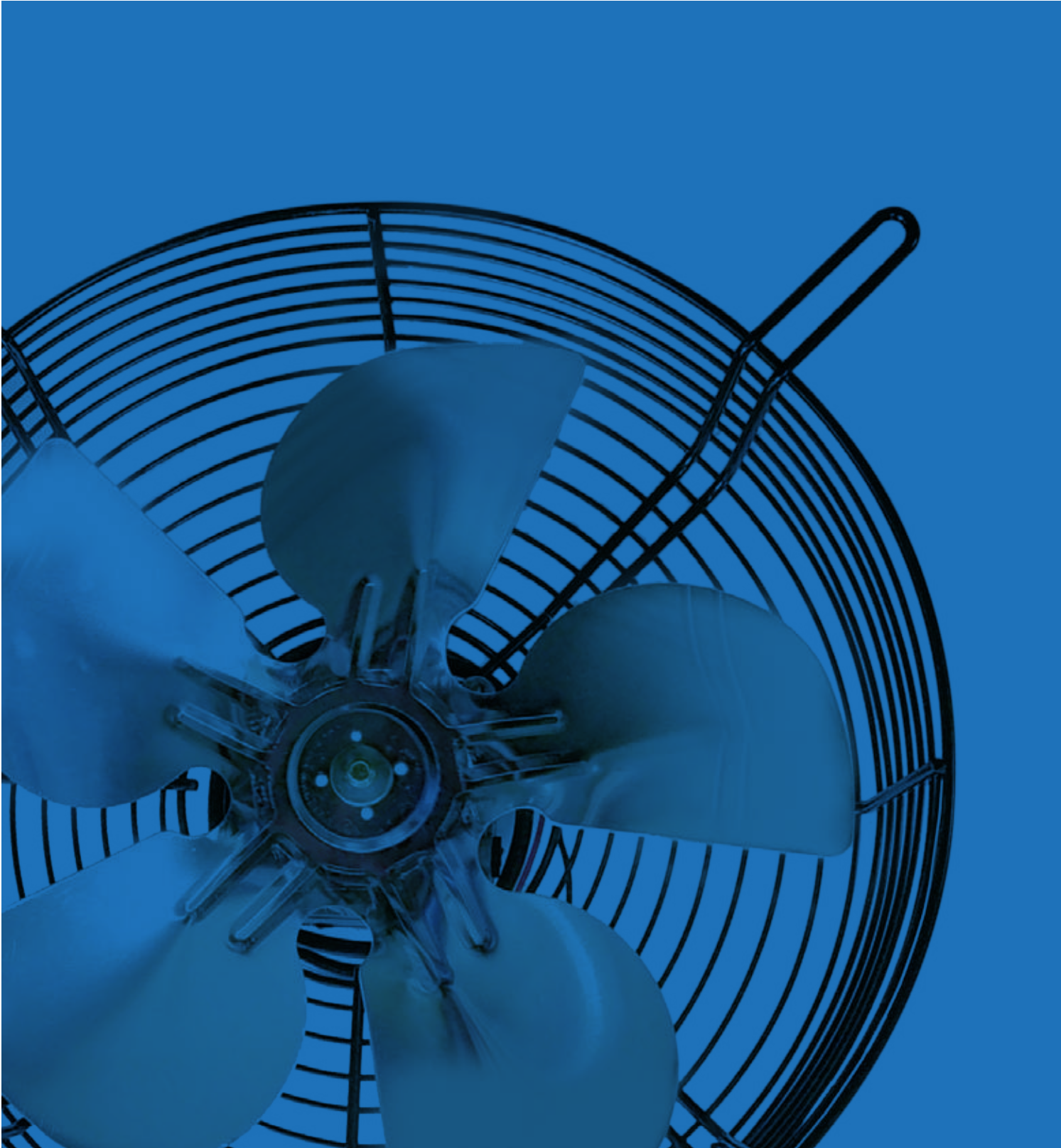
AC Axial

Model	Bearing	Voltage (VAC)	Frequency (Hz)	Current (A)	Power (W)	Air Flow (CFM) (with filter)	Noise (dBA)	Wt. kg
120 x 120 x 38 mm - Metal (Pack size: 1 No.)								
FFU12000-23-000	Ball	230	50/60	0.120/0.120	19/21	58/67	46/49	1.20
172 x 150 x 55 mm - Metal (Pack size: 1 No.)								
FFU17200-23-000	Ball	230	50/60	0.250/0.230	42/42	132.4/144.2	49/53	2.00
280 x 280 x 80 mm - Metal (Pack size: 1 No.)								
FFU28000-23-000	Ball	230	50/60	0.590/0.820	119/130	412/453.2	68/70	3.00

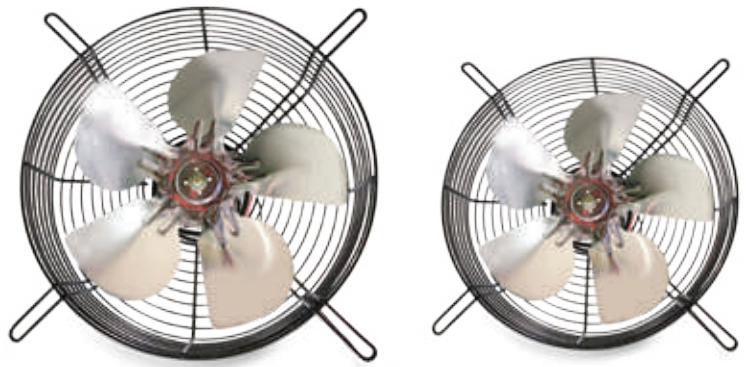
Also available 115VAC & 415VAC

Note: Specifications subject to change without notice
 ■ Weight mentioned is for the pack size.

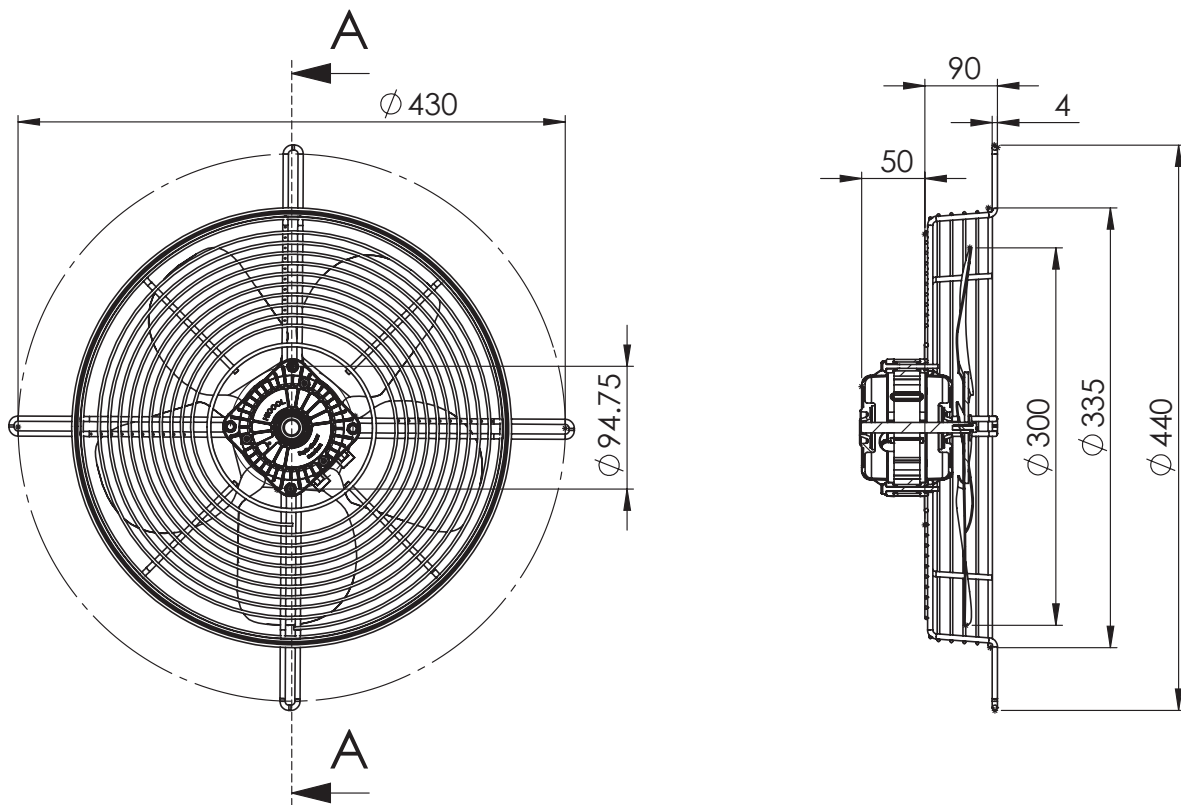
Elevator Cabin Fans



Elevator Cabin Fans



Model	Voltage (VAC)	Frequency (Hz)	Current (A)	Speed (RPM)	Power (W)	Fan Blade	Airflow (M ³ /hr)
83A230SAC-10-EF	230	50	0.35	1200	55	300/22°	1100



Performance With Purpose



Engineering Air-Movement, Sustainably

Corporate Headquarters

HCE Dynamics Private Limited

Plot No. A-104, TTC Industrial Area, MIDC,
Khairne, Navi Mumbai - 400 710,
Maharashtra, India.

Tel: +91 86575 52651

Email: inquiry@hicoolfans.com

Manufacturing Facility

Basecamp

Gut No. 36/1 & 37, Jadhavwadi, Near Talegaon MIDC,
Tal-Maval, Dist-Pune - 410 507,
Maharashtra, India.

www.hicoolfans.com

Visit us at



Follow us on

